



Model Code

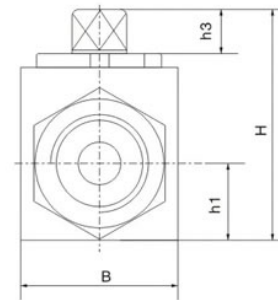
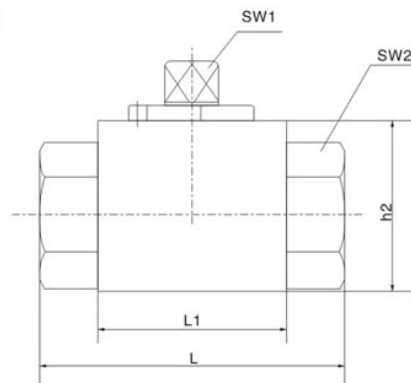
KHB(BKH)	G1/2	1	1	1	2	04	*
(1)	(2)	(3)	(4)	(5)	(6)	(7)	(8)

- (1) Product code:
KHB-Valve block Ball-shaped DN04-25/40
KHM-Sleeves Ball-shaped DN32-50
- (2) Thread size or the pipe diameter and connection type
- (3) Valve and joints material:
1-Carbon steel, 4- Stainless Steel
- (4) Ball and spindle material control:
1- Carbon steel, 4- Stainless Steel
- (5) The seal material:
1 — POM, 4-Polytetrafluoroethylene
5-PEEK
- (6) Joint seal and Control spindle seal:
2- NBR, 4-FPM, 6-EPDM
- (7) Handle Type:
01-Aluminum alloy crank
02-Aluminum alloy straight handle
03-Zinc alloy crank
04-Zinc alloy straight shank
05-Steel crank
06-Steel straight handle
- (8) Surface treatment:
Default plating blue with zinc
Please specify other requirements

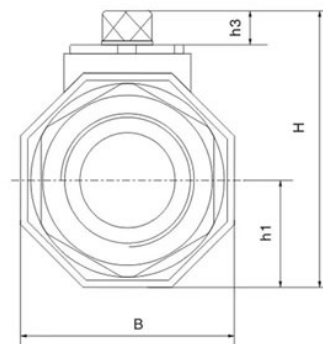
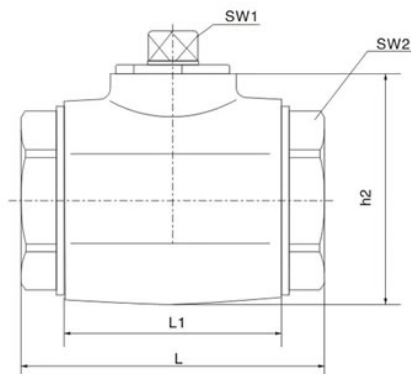


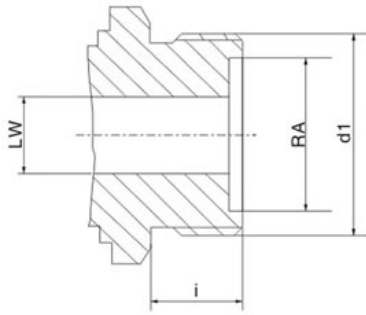
Dimensions

KHB(BKH)

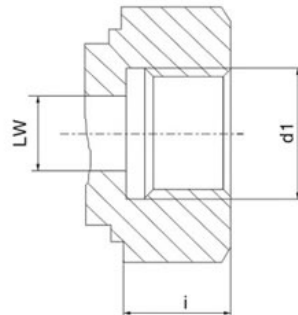


KHM

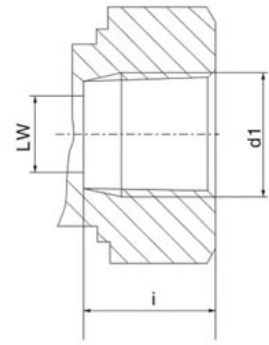




JB987-77



ISO 228



ANSI B1.20.1

JB987-77 External Thread Seal Ball Valves

Model	DN	PN	LW	RA	d1	i	L	L1	B	H	h1	h2	h3	SW1	SW2
KHB-M12x1.25	4	500	4	8	M12x1.25	9	61	37	28	44.5	13	34	8	9	24
KHB-M16x1.5	6	500	6	11	M16x1.5	11	69	37	28	44.5	13	34	8	9	24
KHB-M22x1.5	8	500	8	16	M22x1.5	12	76	42	32	52.5	17	40	8	9	27
KHB-M27x1.5	10	500	10	20	M27x1.5	12	76	42	32	52.5	17	40	8	9	32
KHB-M30x1.5	16	400	15	24	M30x1.5	13	84	47	38	63.5	19	46	11	9	32
KHB-M36x2	20	315	20	30	M36x2	15	103	60	48	75	24	57	12	12	41
KHB-M42x2	25	315	25	35	M42x2	18	116	65	57	82	28.5	64	12	12	46
KHM-M52x2	32	315	30	40	M52x2	20	149	84	82	108	41	87.5	14	14	55
KHM-M60x2	40	315	38	50	M60x2	22	174	91	93	120	46.5	99	14	17	70
KHM-M72x2	50	315	48	60	M72x2	24	178	100	110	136	55	115	14	17	80

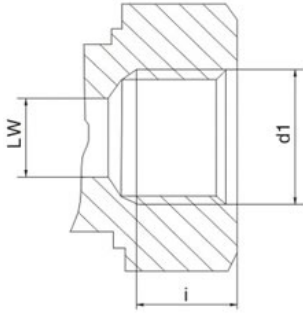
ISO 228 Internal Thread Ball Valves

Model	DN	PN	LW	d1	i	L	L1	B	H	h1	h2	h3	SW1	SW2
KHB-G1/8	4	500	6	G1/8	10	69	37	28	44.5	13	32	8	9	24
KHB-G1/4	6	500	6	G1/4	14	69	37	28	44.5	13	32	8	9	24
KHB-G3/8	10	500	10	G3/8	14	72	42	32	52.5	17	40	8	9	27
KHB-G1/2	13	500	13	G1/2	16	83	48	35	52.5	17	40	8	9	32
KHB-G1/2	16	400	15	G1/2	16	83	47	38	63.5	19	46	11	12	32
KHB-G3/4	20	315	20	G3/4	18	95	60	48	75	24	57	12	12	41
KHB-G1	25	315	25	G1	20.5	113	65	57	82	28.5	64	12	12	46
KHB-G1 ¹ /4	25/32	315	25	G174	22	120	65	60	82	28.5	64	12	14	55
KHB-G1 ¹ /2	25/40	315	25	G1 ¹ /2	24	130	65	60	82	28.5	64	12	14	55
KHM-G1 ¹ /4	32	315	30	G174	22	110	84	82	108	41	87.5	14	17	60
KHM-G1 ¹ /2	40	315	38	G172	24	130	91	93	120	46.5	99	14	17	70
KHM-G2	50	315	48	G2	26	140	100	110	136	55	115	14	17	80

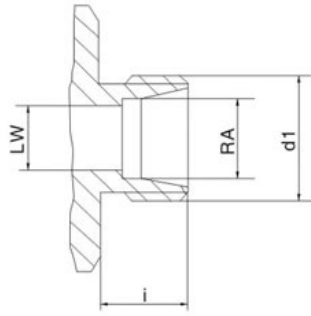
ANSI B1 .20.1 NPT Female Ball Valves

Model	DN	PN	LW	d1	i	L	L1	B	H	h1	h2	h3	SW1	SW2
KHB-1/8NPT	4	500	6	1/8NPT	10.5	69	37	28	44.5	13	32	8	9	24
KHB-1/4NPT	6	500	6	1/4NPT	14	69	37	28	44.5	13	32	8	9	24
KHB-3/8NPT	10	500	10	3/8NPT	14	72	42	32	52.5	17	40	8	9	27
KHB-1/2NPT	13	500	13	1/2NPT	17	83	48	35	52.5	17	40	8	9	32
KHB-3/4NPT	20	315	20	3/4 NPT	19	95	60	48	75	24	57	12	12	41
KHB-1NPT	25	315	25	1NPT	22.5	113	65	57	82	28.5	64	12	12	50
KHB-1 ¹ /4NPT	25/32	315	25	174NPT	22.5	120	65	60	82	28.5	64	12	14	55
KHB-1 ¹ /2NPT	25/40	315	25	172NPT	25	130	65	60	82	28.5	64	12	14	55

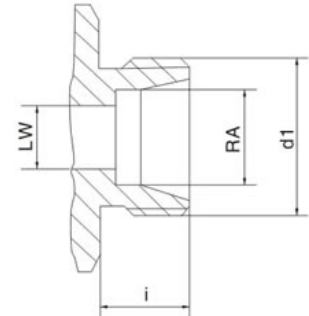
KHM-1 ¹ /4NPT	32	315	30	174NPT	25	120	84	82	108	41	87.5	14	14	55
KHM-1 ¹ /2NPT	40	315	38	172 NPT	25	130	91	93	120	46.5	99	14	17	70
KHM-2NPT	50	315	48	2NPT	30	140	100	110	136	55	115	14	17	80



SAE J514



DIN 2353 LR



DIN 2353 SR

SAE J 514 UN/UNF Internal Thread Ball Valves

Model	DN	PN	LW	d1	i	L	L1	B	H	h1	h2	h3	SW1	SW2
KHB-SAE4	6	500	6	SAE4	12	69	37	28	44.5	13	32	8	9	24
KHB-SAE6	10	500	10	SAE6	13	72	42	32	52.5	17	40	8	9	27
KHB-SAE8	13	500	13	SAE8	15	83	48	35	52.5	17	40	8	9	32
KHB-SAE12	20	315	20	SAE12	20	95	60	48	75	24	57	12	12	41
KHB-SAE16	25	315	25	SAE16	20	113	65	57	82	28.5	64	12	12	46
KHB-SAE20	25/32	315	25	SAE20	20	120	65	60	82	28.5	64	12	12	55
KHB-SAE24	25/40	315	25	SAE24	20	130	65	60	82	28.5	64	12	12	55
KHM-SAE20	32	315	30	SAE20	20	120	84	82	108	41	87.5	14	14	55
KHM-SAE24	40	315	38	SAE24	20	130	91	93	120	46.5	99	14	17	70
KHM-SAE32	50	315	40	SAE32	20	140	100	110	136	55	115	14	17	80

DIN 2353 Light series Ball Valves

Model	DN	PN	LW	RA	d1	i	L	L1	B	H	h1	h2	h3	SW1	SW2
KHB-06LR	4	500	4	6	M12x1.25	10	67	37	28	44.5	13	32	8	9	24
KHB-08LR	6	500	6	8	M14x1.5	10	67	37	28	44.5	13	32	8	9	24
KHB-10LR	8	500	8	10	M16x1.5	11	74	42	32	52.5	17	40	8	9	27
KHB-12LR	10	500	10	12	M18x1.5	11	74	42	32	52.5	17	40	8	9	27
KHB-15LR	13	500	13	15	M22x1.5	12	82	48	35	52.5	17	40	8	9	32
KHB-15LR	16	400	13	15	M22x1.5	12	82	47	38	63.5	19	46	11	9	32
KHB-18LR	13	500	13	18	M26x1.5	12	82	48	35	52.5	17	40	8	9	32
KHB-18LR	16	400	15	18	M26x1.5	12	82	47	38	63.5	19	46	11	12	32
KHB-22LR	20	315	19	22	M30x2	14	101	60	48	75	24	57	12	12	41
KHB-28LR	25	315	25	28	M36x2	14	108	65	57	82	28.5	64	12	12	46
KHB-35LR	25/32	315	25	35	M45x2	16	112	65	60	82	28.5	64	12	14	46
KHM-35LR	32	315	30	35	M45x2	16	141	84	82	108	41	87.5	14	14	60
KHM-42LR	40	315	38	42	M52x2	16	162	91	93	120	46.5	99	14	17	70

DIN 2353 Heavy series Ball Valves

Model	DN	PN	LW	RA	d1	i	L	L1	B	H	h1	h2	h3	SW1	SW2
KHB-08SR	4	500	5	8	M16x1.5	12	73	37	28	44.5	13	32	8	9	24
KHB-10SR	6	500	6	10	M18x1.5	12	73	37	28	44.5	13	32	8	9	24
KHB-12SR	8	500	8	12	M20x1.5	12	76	42	32	52.5	17	40	8	9	27

<i>KHB-14SR</i>	10	500	10	14	<i>M22x1.5</i>	14	80	42	32	52.5	17	40	8	9	27
<i>KHB-16SR</i>	13	500	13	16	<i>M24x1.5</i>	14	86	48	35	52.5	17	40	8	9	32
<i>KHB-20SR</i>	13	500	13	20	<i>M30x2</i>	16	90	48	35	52.5	17	40	8	9	32
<i>KHB-20SR</i>	16	400	15	22	<i>M30x2</i>	16	90	47	38	63.5	19	46	11	9	32
<i>KHB-25SR</i>	20	315	19	25	<i>M36x2</i>	18	109	60	48	75	24	57	12	12	41
<i>KHB-30SR</i>	25	315	25	30	<i>M42x2</i>	20	120	65	57	82	28.5	64	12	12	46
<i>KHB-38SR</i>	25/32	315	25	38	<i>M52x2</i>	22	124	65	60	82	28.5	64	12	14	55
<i>KHM-38SR</i>	32	315	30	38	<i>M52x2</i>	22	153	84	82	108	41	87.5	14	14	60

Model Code

KHB3K	G1/2	L	1	1	1	2	04	*
(1)	(2)	(3)	(4)	(5)	(6)	(7)	(8)	(9)

- (1) Product code:
KHB3K-Valve block Ball-shaped DN04-50
- (2) Thread size or the pipe diameter and connection type
- (3) Valve function Symbol: See below symbols tab
- (4) Valve and joints material:
1-Carbon steel, 4- Stainless Steel
- (5) Ball and spindle material control:
1- Carbon steel, 4- Stainless Steel
- (6) The seal material:
1-POM, 4-Polytetrafluoroethylene
5-PEEK
- (7) Joint seal and Control spindle seal:
2- NBR, 4-FPM, 6-EPDM
- (8) Handle Type:
01-Aluminum alloy crank
02-Aluminum alloy straight handle
03-Zinc alloy crank
04-Zinc alloy straight shank
05-Steel crank
06-Steel straight handle
- (9) Surface treatment:
Default plating blue with zinc
Please specify other requirements



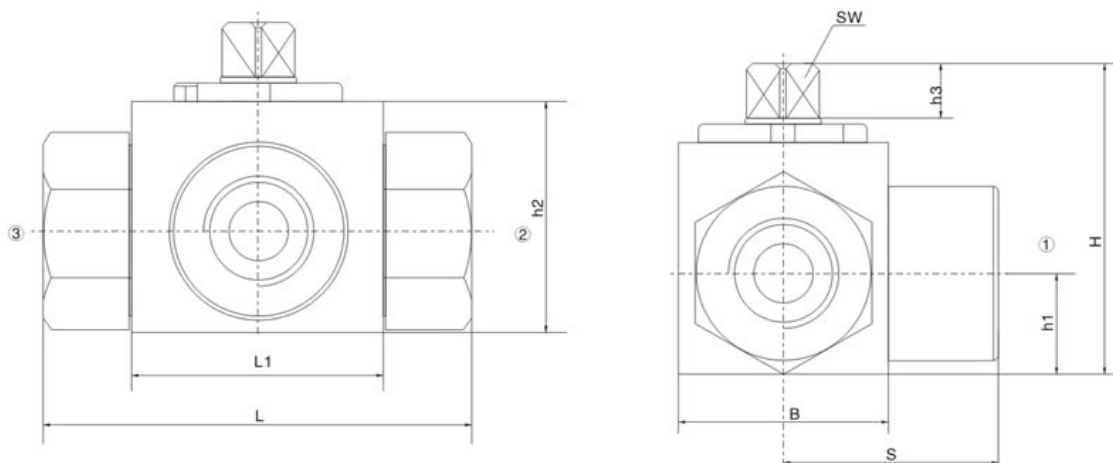
Valve Function

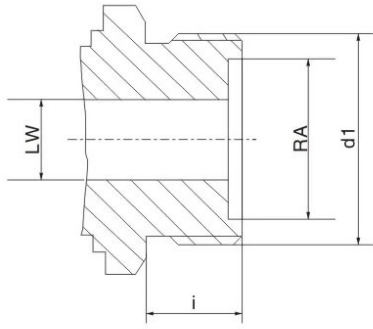
Hydraulic oil just can flow into valve through port "1" and the valve only can be sealed under the two situations:

- 1) Pressure at the closed port is zero;
- 2) Pressure at the closed port is lower than at the two open ports.

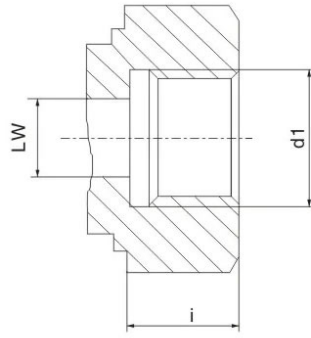
Valve function Symbol			
L形/Shape	90° 换向/Commutation	T形/Shape	90° 换向/Commutation

Dimensions

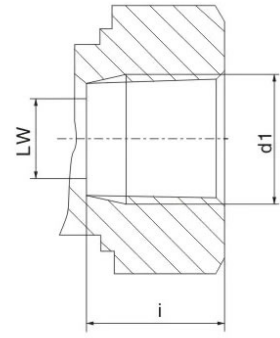




JB984-77



ISO 228



ANSI B1.20.1

JB984-77 Male Face Seal Ball Valves

Model	DN	PN	LW	RA	d1	i	L	L1	B	H	h1	h2	h3	SW	S
KHB3K-M12x1.25	4	315	4	8	M12x1.25	9	61	37	28	44.5	13	34	8	9	35
KHB3K-M16x1.5	6	315	6	11	M16x1.5	11	69	37	28	44.5	13	34	8	9	35
KHB3K-M22x1.5	8	315	8	16	M22x1.5	12	76	42	32	52.5	17	40	8	9	38
KHB3K-M27x1.5	10	315	10	20	M27x1.5	12	76	42	32	52.5	17	40	8	9	38
KHB3K-M30x1.5	16	315	15	24	M30x1.5	13	84	47	38	63.5	19	43	11	12	42
KHB3K-M36 x 2	20	315	20	30	M36x2	15	103	60	48	75	24	54	12	12	52
KHB3K-M42 x 2	25	315	25	35	M42x2	18	116	65	55	82	28.5	61	12	12	58
KHB3K-M52 x 2	32	315	30	40	M52x2	20	149	84	75	105	37.5	84	14	14	72
KHB3K-M60 x 2	40	315	38	50	M60x2	22	174	91	85	116	42.5	95	14	17	79.5
KHB3K-M72 x 2	50	315	48	60	M72x2	24	178	100	105	133	52.5	113	14	17	89

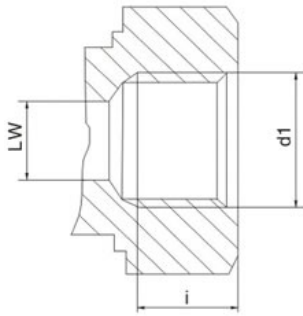
ISO 228 Female Ball Valves

Model	DN	PN	LW	d1	i	L	L1	B	H	h1	h2	h3	SW	S
KHB3K-G1/8	4	315	6	G1/8	10	69	37	28	44.5	13	34	8	9	35
KHB3K-G1/4	6	315	6	G1/4	14	69	37	28	44.5	13	34	8	9	35
KHB3K-G3/8	10	315	10	G3/8	14	72	42	32	52.5	17	40	8	9	36
KHB3K-G1/2	13	315	13	G1/2	16	83	48	35	52.5	17	40	8	9	40
KHB3K-G1/2	16	315	15	G1/2	16	83	47	38	63.5	19	43	11	9	42
KHB3K-G3/4	20	315	20	G3/4	18	95	60	48	75	24	54	12	12	49
KHB3K-G1	25	315	25	G1	20.5	113	65	55	82	28.5	61	12	12	56.5
KHB3K-G1 ¹ /4	25/32	315	25	G11/4	22	120	65	60	82	28.5	61	12	14	60
KHB3K-G1 ¹ /4	32	315	30	G11/4	22	110	84	75	105	37.5	84	14	17	55
KHB3K-G1 ¹ /2	40	315	38	G11/2	24	130	91	85	116	42.5	95	14	17	65
KHB3K-G2	50	315	48	G2	26	140	100	105	133	52.5	113	14	17	70

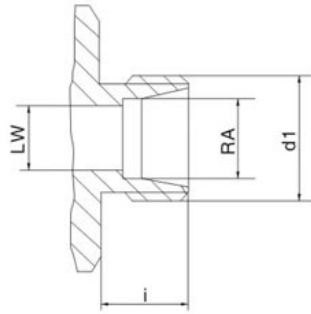
ANSI B1.20.1 NPT Female Ball Valves

Model	DN	PN	LW	d1	i	L	L1	B	H	h1	h2	h3	SW	S
KHB3K-G1/8NPT	4	315	6	1/8NPT	10.5	69	37	28	44.5	13	34	8	9	35
KHB3K-G1/4NPT	6	315	6	1/4NPT	14	69	37	28	44.5	13	34	8	9	35
KHB3K-G3/8NPT	10	315	10	3/8NPT	14	72	42	32	52.5	17	40	8	9	36
KHB3K-G1/2NPT	13	315	13	1/2NPT	17	83	48	35	52.5	17	40	8	9	40
KHB3K-G3/4NPT	20	315	20	3/4NPT	19	95	60	48	75	24	54	12	12	49
KHB3K-G1NPT	25	315	25	1NPT	22.5	113	65	55	82	28.5	61	12	12	56.5
KHB3K-G1 ¹ /4NPT	25/32	315	25	174NPT	22.5	120	65	60	82	28.5	61	12	12	60

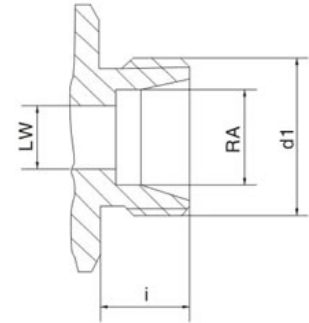
KHB3K-G1 ¹ /4NPT	32	315	30	174NPT	25	120	84	75	105	37.5	84	14	14	60
KHB3K-G1 ¹ /2NPT	40	315	38	172NPT	25	130	91	85	116	42.5	95	14	17	70
KHB3K-G2NPT	50	315	48	2NPT	30	140	100	105	133	52.5	113	14	17	75



SAE J514



DIN 2353 LR



DIN 2353 SR

SAE J 514 UN/UNF Female Thread Ball Valves

Model	DN	PN	LW	d1	i	L	L1	B	H	h1	h2	h3	SW1	S
KHB3K-SAE4	6	315	6	SAE4	12	69	37	28	44.5	13	34	8	9	35
KHB3K-SAE6	10	315	10	SAE6	13	72	42	32	52.5	17	40	8	9	36
KHB3K-SAE8	13	315	13	SAE8	15	83	48	37	52.5	17	40	8	9	40
KHB3K-SAE12	20	315	20	SAE12	20	95	60	48	75	24	54	12	12	49
KHB3K-SAE16	25	315	25	SAE16	20	113	65	55	82	28.5	61	12	12	56.5
KHB3K-SAE20	25/32	315	25	SAE20	20	120	65	60	82	28.5	61	12	12	60
KHB3K-SAE20	32	315	30	SAE20	20	120	84	75	105	37.5	84	14	14	60
KHB3K-SAE24	40	315	38	SAE24	20	130	91	85	116	42.5	95	14	17	70
KHB3K-SAE32	50	315	48	SAE32	20	140	100	105	133	52.5	113	14	17	75

DIN 2353 Light series Ball Valves

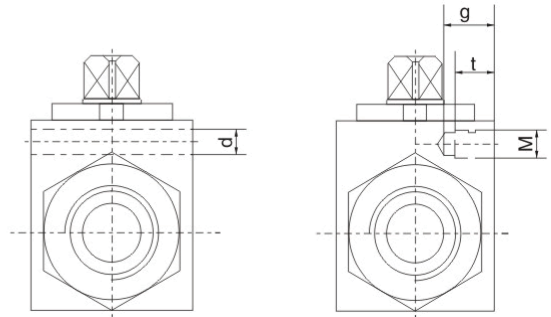
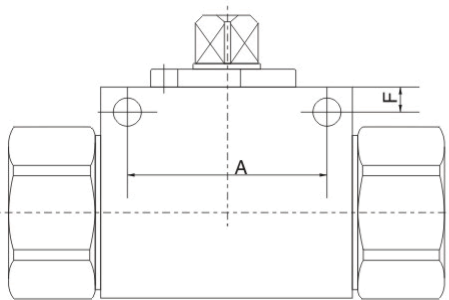
Model	DN	PN	LW	RA	d1	i	L	L1	B	H	h1	h2	h3	SW1	S
KHB3K-06LR	4	315	4	6	M12x1.25	10	67	37	28	44.5	13	32	8	9	34.5
KHB3K-08LR	6	315	6	8	M14x1.5	10	67	37	28	44.5	13	32	8	9	34.5
KHB3K-10LR	8	315	8	10	M16x1.5	11	74	42	32	52.5	17	40	8	9	37
KHB3K-12LR	10	315	10	12	M18x1.5	11	74	42	32	52.5	17	40	8	9	37
KHB3K-15LR	13	315	13	15	M22x1.5	12	82	48	37	52.5	17	43	8	9	40
KHB3K-18LR	13	315	13	18	M26x1.5	12	82	48	37	52.5	17	43	8	9	42
KHB3K-18LR	16	315	15	18	M26x1.5	12	82	47	38	63.5	19	46	11	9	42
KHB3K-22LR	20	315	19	22	M30x2	14	101	60	48	75	24	54	12	12	52
KHB3K-28LR	25	315	25	28	M36x2	14	108	65	55	82	28.5	61	12	12	54
KHB3K-35LR	25/32	315	25	35	M45x2	16	112	65	60	82	28.5	64	12	14	56

DIN 2353 Heavy series Ball Valves

Model	DN	PN	LW	RA	d1	i	L	L1	B	H	h1	h2	h3	SW1	S
KHB3K-08SR	4	315	5	8	M16x1.5	12	73	37	28	44.5	13	34	8	9	37
KHB3K-10SR	6	315	6	10	M18x1.5	12	73	37	28	44.5	13	34	8	9	37
KHB3K-12SR	8	315	8	12	M20x1.5	12	76	42	32	52.5	17	40	8	9	38
KHB3K-14SR	10	315	10	14	M22x1.5	14	80	42	32	52.5	17	40	8	9	40
KHB3K-16SR	13	315	13	16	M24x1.5	14	86	48	35	52.5	17	40	8	9	43.5

KHB3K-20SR	13	315	13	20	M30x2	16	90	48	35	52.5	17	40	8	9	45.5
KHB3K-20SR	16	315	15	22	M30x2	16	90	47	38	63.5	19	46	11	12	45.5
KHB3K-25SR	20	315	19	25	M36x2	18	109	60	48	75	24	54	12	12	56
KHB3K-30SR	25	315	25	30	M42x2	20	120	65	55	82	28.5	61	12	12	60
KHB3K-38SR	25/32	315	25	38	M52x2	22	124	65	60	82	28.5	64	12	14	62

KHB/KHB3K Ball Valves with Mounting Holes

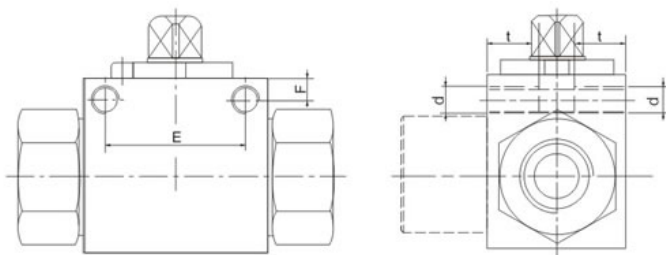


Full Holes Dimensions

DN	A	d	F
4	30	4.6	5
6	30	4.6	5
10	32	6.6	5
13	37.5	6.6	4.8
16	37.5	6.6	5
20	45	6.6	6.5
25	55	6.8	6
32	55	6.8	6

Thread Holes Dimensions

DN	A	t	F	g	M
4	30	6.7	6	9	M6
6	30	6.7	6	9	M6
10	32	8	5.5	10	M6
13	37.5	9	6	11	M6
16	37.5	8	8	10.5	M6
20	45	13	7.5	15	M10
25	45	13	7.5	15	M10
32	45	13	7.5	15	M10



DN	E	F	t	d
4	24	4.5	9	M6
6	24	4.5	9	M6
10	32	5.5	12	M6
13	36	6	12	M6
16	32	6.5	12	M6
20	45	7.5	12	M6
25	45	7.5	12	M6
25/32	45	7.5	12	M6

Model Code

VH2V	—	M27×1.5	—	1	1	1	2	—	01	X	—	*
(1)		(2)		(3)	(4)	(5)	(6)		(7)	(8)		(9)

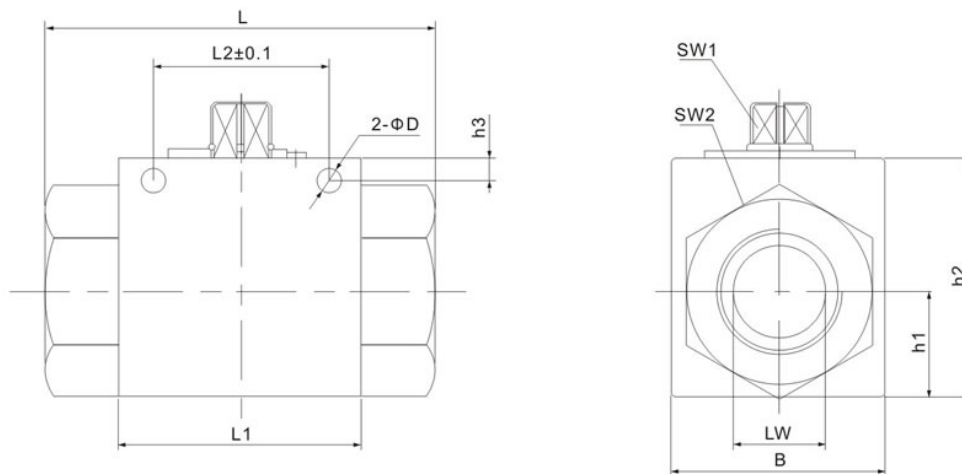
- (1) Product code:
VH2V Series Straight High Pressure Ball valve
- (2) Joint Code: M*, G*, *LR, *SR, PT*, NPT*
- (3) Valve Material:
Steel, 2 Brass, 3 Stainless Steel
- (4) Ball material:
1 Steel, 2 Brass, 3 Stainless Steel
- (5) Operating Temperature::
 - 1. -25 - +100°C
 - 2. -30 - +170°C
- (6) Other Airproof:
2- NBR, 4- FPM
- (7) Joint seal and Control spindle seal:
2- NBR, 4-FPM, 6-EPDM
- (8) Handle Type:
 - 01-Aluminum alloy crank
 - 02-Aluminum alloy straight handle
 - 03-Zinc alloy crank
 - 04-Zinc alloy straight shank
 - 05-Steel crank
 - 06-Steel straight handle
- (9) Surface treatment:
Default plating blue with zinc
Please specify other requirements

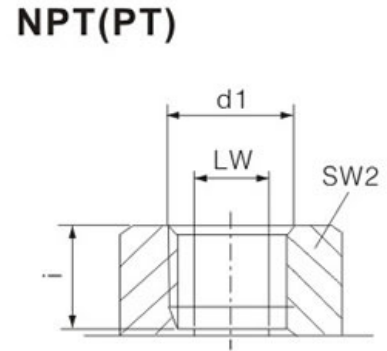
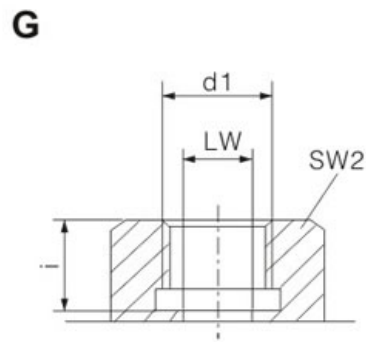
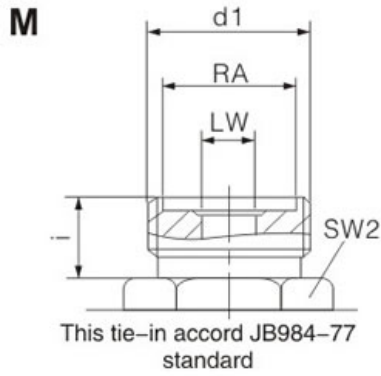


Hydraulic Schematic Symbol



Dimensions





JB984-77 M Port Chart Ball Valves

Model (M)	PN (bar)	DN	LW	RA	d1	i	L	L1	B	L2	h1	h2	SW1	SW2	D	h3
VH2V-M16x 1.5	500	6	6	11	M16x 1.5	11	69	40	28	31.5	14	35	9	24	4.5	4.8
VH2V-M27x 1.5	500	10	10	20	M27x 1.5	12	76	42	32	31.5	17	40	9	27	5.5	5.8
VH2V-M30x 1.5	400	15	15	30	M30x 1.5	14	84	48	37	37.5	18.5	43	9	32	6.5	5.8
VH2V-M36x2	315	20	20	24	M36x2	15	103	60	48	48.5	25	58	12	41	6.5	6
VH2V-M42x2	315	25	23	35	M42x2	18	116	65	57	50.5	28.5	65	12	46	8.5	7

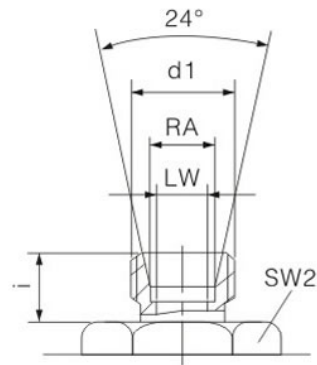
G Port Chart Ball Valves

Model (G)	PN (bar)	DN	LW	RA	d1	j	L	L1	B	L2	h1	h2	SW1	SW2	D	h3
VH2V-G1/4	500	6	6	/	G1/4	14	69	40	28	31.5	14	35	9	24	4.5	4.8
VH2V-G3/8	500	10	10	/	G3/8	14	72	42	32	31.5	17	40	9	27	5.3	5.8
VH2V-G1/2	500	13	12	/	G1/2	16	83	48	37	38.5	18	45	9	32	6.5	6
VH2V-G3/4	315	20	20	/	G3/4	18	93	60	48	48.5	23	58	12	41	6.5	6
VH2V-G1	315	25	25	/	G1	21	115	65	55	50.5	27.5	65	12	46	8.5	7

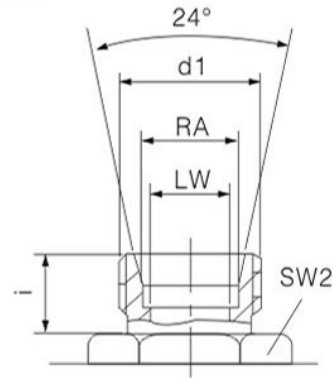
NPT Port Chart Ball Valves

Model (NPT)	PN (bar)	DN	LW	RA	d1	i	L	L1	B	L2	h1	h2	SW1	SW2	D	h3
VH2V-NPT1/4	500	6	6	/	NPT1/4	14	69	40	28	31.5	14	35	9	24	4.5	4.8
VH2V-NPT3/8	500	10	10	/	NPT3/8	14	72	42	32	31.5	17	40	9	27	5.3	5.8
VH2V-NPT1/2	500	13	12	/	NPT1/2	16	83	48	37	38.5	18	45	9	32	6.5	6
VH2V-NPT3/4	315	20	20	/	NPT3/4	18	95	60	48	48.5	23	58	12	41	6.5	6
VH2V-NPT1	315	25	25	/	NPT1	21	113	65	55	50.5	27.5	65	12	46	8.5	7

LR



SR



LR Series Ball Valves

Model (LR)	PN (bar)	DN	LW	RA	d1	i	L	L1	B	L2	h1	h2	SW1	SW2	D	h3
VH2V-08LR	500	6	6	8	M14x 1.5	10	67	40	28	31.5	14	35	9	22	4.5	4.8
VH2V-12LR	500	10	10	12	M18x 1.5	11	74	42	32	31.5	17	40	9	27	5.3	5.8
VH2V-15LR	500	13	12	15	M22x 1.5	12	82	48	37	38.5	18	45	9	30	6.5	6
VH2V-18LR	500	13	12	18	M26x 1.5	12	82	48	37	38.5	18	45	9	30	6.5	6
VH2V-22LR	315	20	19	22	M30x2	14	101	60	48	48.5	23	58	12	41	6.5	6
VH2V-28LR	315	25	24	28	M36x2	14	108	65	55	50.5	27.5	65	12	46	8.5	7

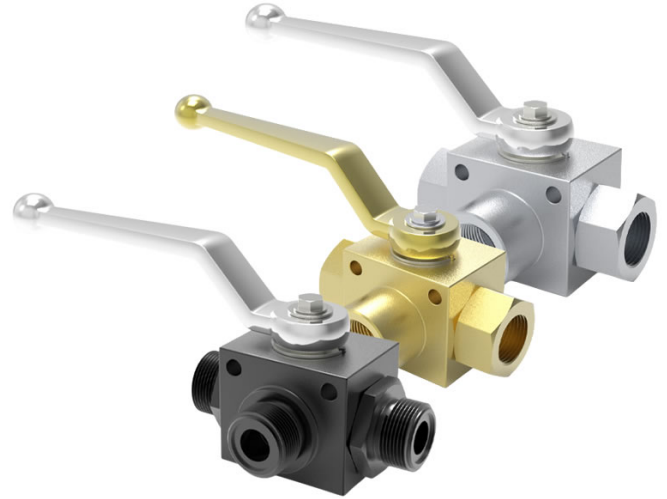
SR series Ball Valves

Model (SR)	PN (bar)	DN	LW	RA	d1	i	L	L1	B	L2	h1	h2	SW1	SW2	D	h3
VH2V-10SR	500	6	6	10	M18x 1.5	12	73	40	28	31.5	14	35	9	24	4.5	4.8
VH2V-14SR	500	10	10	14	M22x 1.5	14	80	42	32	31.5	17	40	9	27	5.3	5.8
VH2V-16SR	500	13	12	16	M24x 1.5	14	86	48	37	38.5	18	45	9	32	6.5	6
VH2V-20SR	500	13	12	20	M30x2	16	90	48	37	38.5	18	45	9	32	6.5	6
VH2V-25SR	315	20	20	25	M36x2	18	109	60	48	48.5	23	58	12	41	6.5	6
VH2V-30SR	315	25	25	30	M42x2	20	120	65	55	50.5	27.5	65	12	46	8.5	7

Model Code

VH3V	—	M27×1.5	—	1	1	1	2	—	01	X	—	*
(1)		(2)		(3)	(4)	(5)	(6)		(7)	(8)		(9)

- (1) Product code:
VH3V Series Straight High Pressure Ball valve
- (2) Joint Code: M*, G*, *LR, *SR, PT*, NPT*
- (3) Valve Material:
1 Steel, 2 Brass, 3 Stainless Steel
- (4) Ball material:
1 Steel, 2 Brass, 3 Stainless Steel
- (5) Operating Temperature::
1. -25 - +100°C
2. -30 - +170°C
- (6) Other Airproof:
2- NBR, 4- FPM
- (7) Joint seal and Control spindle seal:
- NBR, 4-FPM, 6-EPDM
- (8) Handle Type:
01-Aluminum alloy crank
02-Aluminum alloy straight handle
03-Zinc alloy crank
04-Zinc alloy straight shank
05-Steel crank
06-Steel straight handle
- (9) Surface treatment:
Default plating blue with zinc
Please specify other requirements



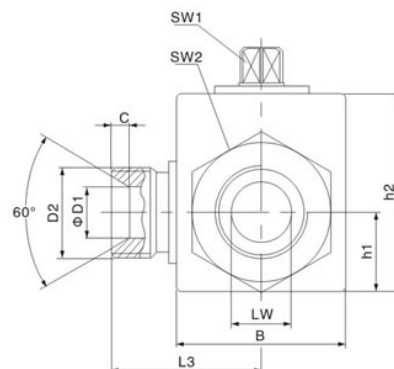
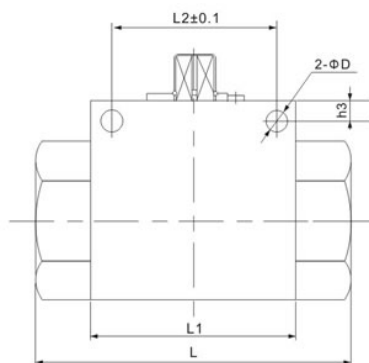
Hydraulic Schematic Symbol

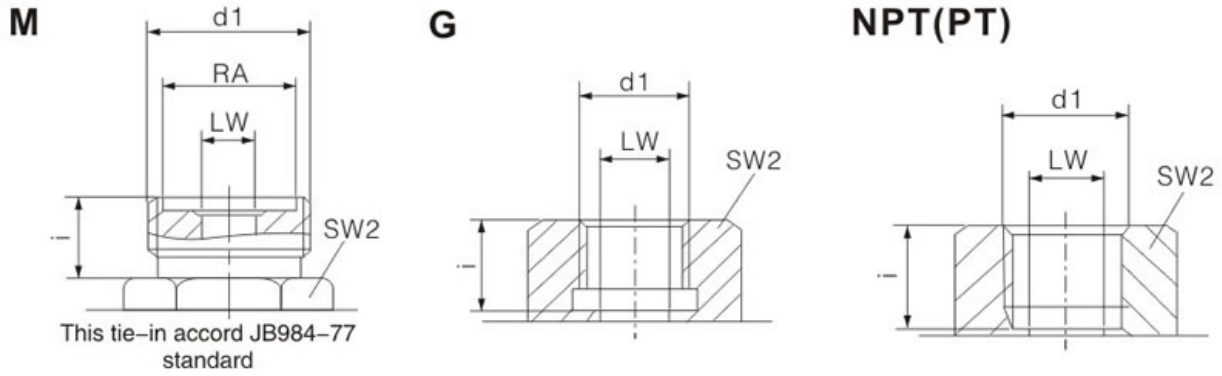
Hydraulic oil just can flow into valve through port "1" and the valve only can be sealed under the two situations:

- 1) Pressure at the closed port is zero;
- 2) Pressure at the closed port is lower than at the tow open ports.

Valve function Symbol			
L形/Shape	90° 换向/Commutation	T形/Shape	90° 换向/Commutation

Dimensions





JB984-77 M Port Chart Ball Valves

Model (M)	PN (bar)	DN	LW	RA	d1(D2)	i	L	L1	B	L2	h1	h2	SW1	SW2	D	h3	L3	D1	C
VH3V-M16x1.5	500	6	6	11	M16x 1.5	11	69	40	26	32	14	35	9	24	4.5	4.8	26	6	4
VH3V-M27x1.5	500	10	10	20	M27 x1.5	12	76	42	32	32	16	40	9	27	5.3	5.8	31	8	4
VH3V-M36x2	315	20	20	30	M36x2	15	103	60	48	49	25	58	12	41	6.5	6	44	15	5.5
VH3V-M42x2	315	25	23	35	M42x2	18	116	65	57	51	29	65	12	50	8.5	7	54	22	5

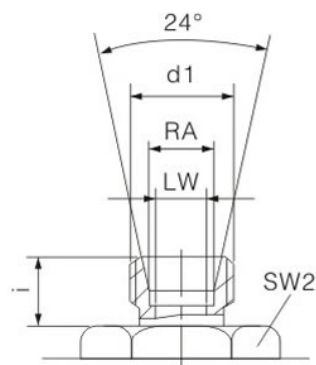
G Port Chart Ball Valves

Model (G)	PN (bar)	DN	LW	RA	d1(D2)	i	L	L1	B	L2	h1	h2	SW1	SW2	D	h3	L3	D1	C
VH3V-G1/4	500	6	6	/	G1/4	14	69	40	26	32	14	35	9	24	4.5	4.8	26	6	4
VH3V-G3/8	500	10	10	/	G3/8	14	72	42	32	32	16	40	9	27	5.3	5.8	31	8	4
VH3V-G1/2	500	13	12	/	G1/2	16	83	48	35	39	18	45	9	32	6.5	6	35	12	3
VH3V-G3/4	315	20	20	/	G3/4	18	93	60	50	49	23	58	12	41	6.5	6	44	15	5.5
VH3V-G1	315	25	25	/	G1	21	115	65	57	51	28	65	12	46	8.5	7	54	22	5

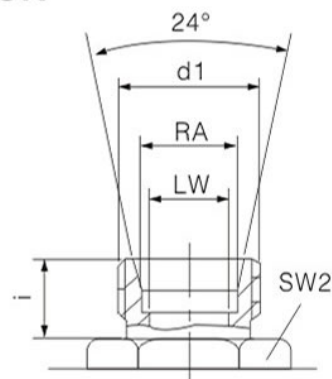
NPT Port Chart Ball Valves

Model (NPT)	PN (bar)	DN	LW	RA	d1(D2)	i	L	L1	B	L2	h1	h2	SW1	SW2	D	h3	L3	D1	C
VH3V-NPT1/4	500	6	6	/	NPT1/4	14	69	40	26	32	14	35	9	24	4.5	4.8	26	6	4
VH3V-NPT3/8	500	10	10	/	NPT3/8	14	72	42	32	32	16	40	9	27	5.3	5.8	31	8	4
VH3V-NPT1/2	500	13	12	/	NPT1/2	16	83	48	35	39	18	45	9	32	6.5	6	35	12	3
VH3V-NPT3/4	315	20	20	/	NPT3/4	18	95	60	50	49	23	58	12	41	6.5	6	44	15	5.5
VH3V-NPT1	315	25	25	/	NPT1	21	113	65	57	51	28	65	12	46	8.5	7	54	22	5

LR



SR



LR Series Ball Valves

Model (LR)	PN (bar)	DN	LW	RA	d1(D2)	i	L	L1	B	L2	h1	h2	SW1	SW2	D	h3	L3	D1	C
VH3V-08LR	500	6	6	8	M14x 1.5	10	67	40	26	32	14	35	9	24	4.5	4.8	26	6	4
VH3V-12LR	500	10	10	12	M18x 1.5	11	74	42	32	32	16	40	9	27	5.3	5.8	31	8	4
VH3V-15LR	500	13	12	15	M22x 1.5	12	82	48	35	39	18	45	9	32	6.5	6	35	12	3
VH3V-18LR	500	13	12	18	M26x 1.5	12	82	48	35	39	18	45	9	32	6.5	6	35	12	3
VH3V-22LR	315	20	19	22	M30x2	14	101	60	50	49	23	58	12	41	6.5	6	44	15	5.5

SR series Ball Valves

Model (SR)	PN (bar)	DN	LW	RA	d1(D2)	i	L	L1	B	L2	h1	h2	SW1	SW2	D	h3	L3	D1	C
VH3V-10SR	500	6	6	10	M18x 1.5	12	73	40	26	32	14	35	9	24	4.5	4.8	26	6	4
VH3V-14SR	500	10	10	14	M22x 1.5	14	80	42	32	32	16	40	9	27	5.3	5.8	31	8	4
VH3V-16SR	500	13	12	16	M24x 1.5	14	86	48	35	39	18	45	9	32	6.5	6	35	12	3
VH3V-20SR	500	13	12	20	M30x 1.5	16	90	48	35	39	18	45	9	32	6.5	6	35	12	3
VH3V-25SR	315	20	20	25	M36x2	18	109	60	50	49	23	58	12	41	6.5	6	44	15	5.5
VH3V-30SR	315	25	25	30	M42x2	20	120	65	57	51	28	65	12	46	8.5	7	54	22	5

Model Code

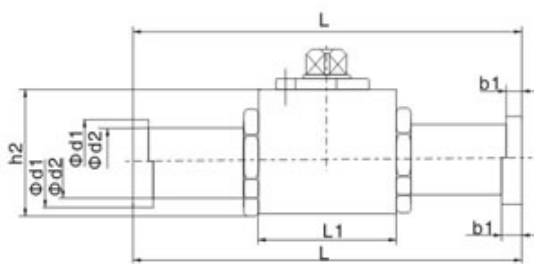
KHB	20	F3	1	1	1	2	1	06
(1)	(2)	(3)	(4)	(5)	(6)	(7)	(8)	(9)

- (1) Product code:
KHB-Block-shaped valve body DN16-25
KHB-Sleeve-shaped valve body DN32-50
- (2) Nominal diameter: 06, 10, . . . 50mm
- (3) Flange Code:
F3-Meets the SAEJ518C3000psi (21MPa)
F6-Meets the SAEJ518C6000psi (42MPa)
- (4) Valve and joints material:
1-Carbon steel, 4- Stainless Steel
- (5) Ball and spindle material control:
1-Carbon steel, 4- Stainless Steel
- (6) The seal material: 1-POM
- (7) Plugs and control spindle seal material: 2-NBR
- (8) SAEC Flange material: 1-Steel
(1112 conventional material combinations can be omitted when ordering)
- (9) Handle Type:
01-Aluminum alloy crank
02-Aluminum alloy straight handle
03-Zinc alloy crank
04-Zinc alloy straight shank
05-Steel crank
06-Steel straight handle

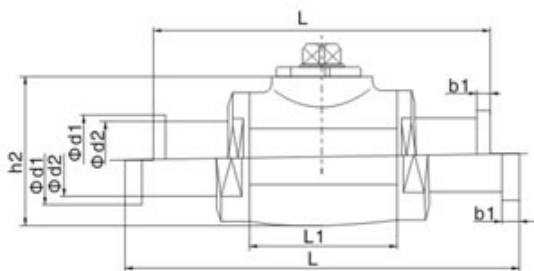


Dimensions

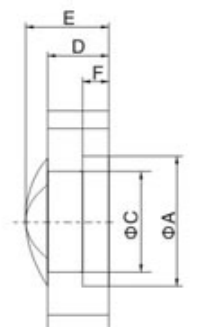
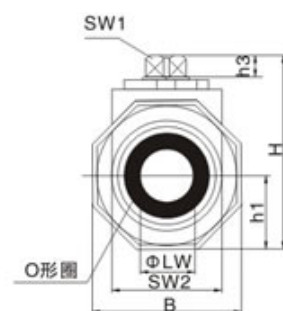
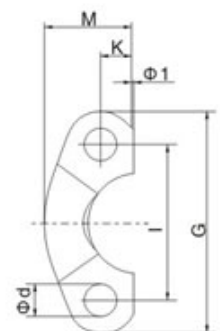
KHB



KHM



SAE



KHB/KHM-F3 Ball Valves

Model	SAE	DN	PN	LW	L	L1	H	h1	h2	h3	B
KHB-16-F3	3/4"	16	350	15	170	48	63.5	19	46	11	38
KHB-20-F3	3/4"	20	350	19	170	60	75	24	54	12	48
KHB-25-F3	1"	25	350	25	177	65	82	28.5	61	12	55
KHM-32-F3	1 ¹ / ₄ "	32	275	30	191	84	108	41	87.5	14	82
KHM-40-F3	1 ¹ / ₂ "	40	210	38	231	91	120	46.5	99	14	93
KHM-50-F3	2"	50	210	48	234	100	136	55	115	14	110

Model	b1	d1	d2	SW1	SW2	O-Ring
KHB-16-F3	6.8	38.1	31.5	12	32	24.99x3.53
KHB-20-F3	6.8	38.1	31.5	12	41	24.99x3.53
KHB-25-F3	8	44.5	38	12	50	32.92x3.53
KHM-32-F3	8	50.8	43	14	60	37.69x3.53
KHM-40-F3	8	60.4	50	17	70	47.22x3.53
KHM-50-F3	9.6	71.4	62	17	80	56.74x3.53

SAE Flange-F3 Ball Valves

Model	A	C	D	E	F	M
KHB-16-F3	38.9	32.2	14	22	6.2	24.9
KHB-20-F3	38.9	32.2	14	22	6.2	24.9
KHB-25-F3	45.3	38.5	16	22	7.5	28.2
KHM-32-F3	51.6	43.7	16	24	7.5	35.3
KHM-40-F3	61.1	50.8	16	25	7.5	40.1
KHM-50-F3	72.3	52.8	16	26	9	47.2

KHB/KHM-F6 Ball Valves

Model	SAE	DN	PN	LW	L	L1	H	h1	h2	h3	B
KHB-16-F6	3/4"	16	400	15	170	47	63.5	19	46	11	38
KHB-20-F6	3/4"	20	350	19	170	60	75	24	54	12	48
KHB-25-F6	1"	25	350	25	199	65	82	28.5	64	12	57
KHM-32-F6	1 ¹ / ₄ "	32	350	30	223	84	105	37.5	84	14	75
KHM-40-F6	1 ¹ / ₂ "	40	350	38	281	91	116	42.5	95	14	85
KHM-50-F6	2"	50	350	48	315	100	133	52.5	113	14	105

Model	b1	d1	d2	SW1	SW2	O-Ring
KHB-16-F6	8.8	41.3	32	12	32	24.99x3.53
KHB-20-F6	8.8	41.3	32	14	41	24.99x3.53
KHB-25-F6	9.5	47.6	38	14	50	32.92x3.53
KHM-32-F6	10.3	54	44	17	60	37.69x3.53
KHM-40-F6	12.6	63.5	51	17	70	47.22x3.53
KHM-50-F6	12.6	79.4	67	17	80	56.74x3.53

SAE Flange-F6 Ball Valves

<i>Model</i>	<i>A</i>	<i>C</i>	<i>D</i>	<i>E</i>	<i>F</i>	<i>M</i>	<i>K</i>	<i>I</i>	<i>G</i>	<i>d</i>
<i>KHB-16-F6</i>	42	32.5	19	28	8.2	29	11	50.8	72	10.5
<i>KHB-20-F6</i>	42	32.5	19	28	8.2	29	11	50.8	72	10.5
<i>KHB-25-F6</i>	48.4	38.9	24	33	9	33.8	13	57.2	81	13
<i>KHM-32-F6</i>	54.8	44.5	27	38	9.8	37.6	15	66.6	96	15
<i>KHM-40-F6</i>	64.3	51.6	30	43	12	46.5	17	79.3	113	17
<i>KHM-50-F6</i>	80.2	67.6	37	52	12	55.9	21	96.8	134	21

Model Code

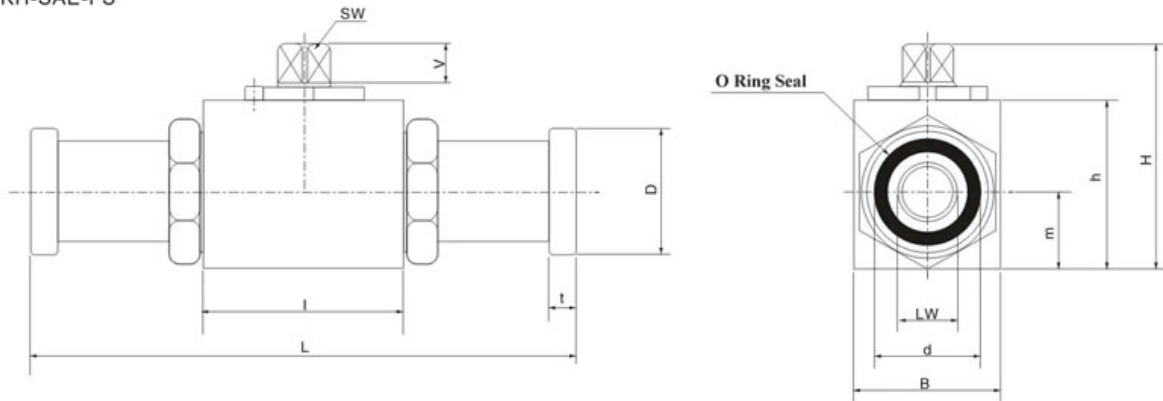


- (1)Product code:
 BKH-SAE-FS-square valve body
 MKH-SAE-FS-forged valve body
- (2)Flange series pressure rating
 210bar,420bar
- (3)Nominal diameter
 13, 20, . . . 50mm
- (4)Body, joint, and flange material
 1-Carbon steel (BKH-SAE-FS)
 2-Carbon steel (MKH-SAE-FS)
- (5)Ball and valve body material
 1-Carbon steel
 2-Stainless Steel
- (6)Sealing material at the ball
 2-POM
 4-PTFE
- (7)Sealing material at stem and joint
 3-NBR, 5-FPM
- (8) Surface treatment:
 Default plating blue with zinc
 Please specify other requirements



Dimensions

1.BKH-SAE-FS



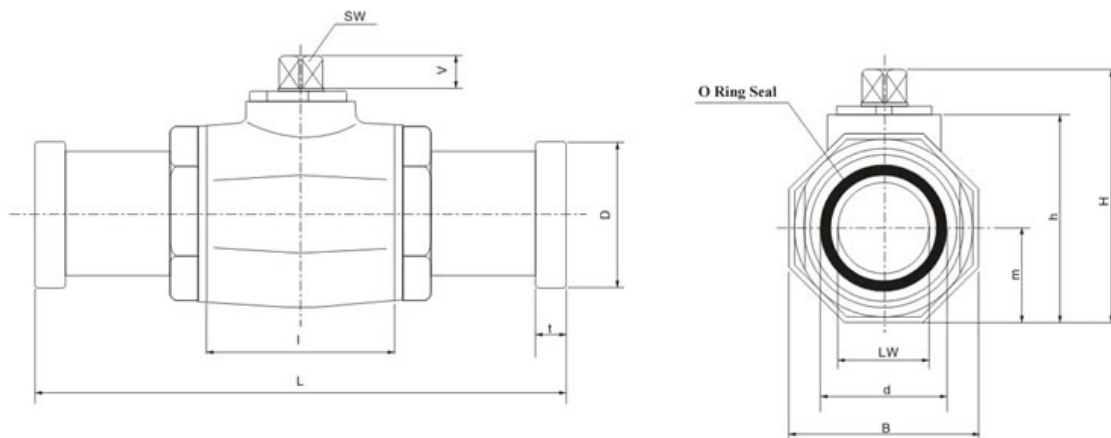
BKH-SAE-FS 210BAR (3000PSI) Ball Valves

Model	DN	PN	LW	L	l	B	H	h	m	V	SW	d	D	t
BKH-SAE-FS-210	13	210	13	151	48	35	52.5	40	17	8	9	25.5	30.2	6.8
BKH-SAE-FS-210	20	210	19	162	60	48	75	57	24	12	14	31.9	38.1	6.8
BKH-SAE-FS-210	25	210	25	178	65	57	82	64	28.5	12	14	39.8	44.4	8.1

BKH-SAE-FS 420BAR (6000PSI) Ball Valves

Model	DN	PN	LW	L	l	B	H	h	m	V	SW	d	D	t
BKH-SAE-FS-420	13	420	13	151	48	35	52.5	40	17	8	9	25.5	31.8	7.9
BKH-SAE-FS-420	20	315	19	174	60	48	75	57	24	12	14	31.9	41.3	8.9
BKH-SAE-FS-420	25	315	25	198	65	57	82	64	2&5	12	14	39.8	47.6	9.6

2.MKH-SAE-FS



MKH-SAE-FS 210BAR (3000PSI) Ball Valves

Model	DN	PN	LW	L	l	B	H	h	m	V	SW	d	D	t
MKH-SAE-FS-210	32	210	30	191	84	82	108	87.5	41	14	17	44.5	50.8	8.1
MKH-SAE-FS-210	40	210	38	231	91	93	120	99	46.5	14	17	54.1	60.3	8.1
MKH-SAE-FS-210	50	210	48	232	100	110	136	115	55	14	17	63.6	71.4	9.6

MKH-SAE-FS 420BAR (6000PSI) Ball Valves

Model	DN	PN	LW	L	l	B	H	h	m	V	SW	d	D	t
MKH-SAE-FS-420	32	350	30	223	84	82	108	87.5	41	14	17	44.5	54	10.4
MKH-SAE-FS-420	40	350	38	281	91	93	120	99	46.5	14	17	54.1	63.5	12.7
MKH-SAE-FS-420	50	350	48	316	100	110	136	115	55	14	17	63.6	79.4	12.7

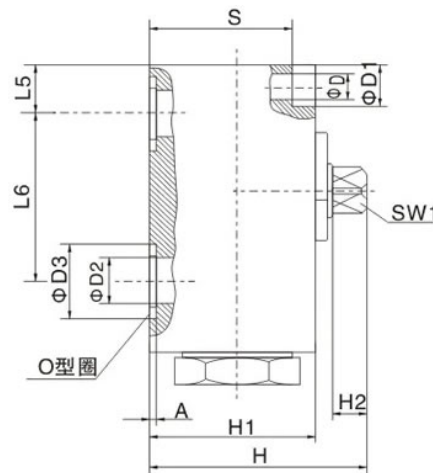
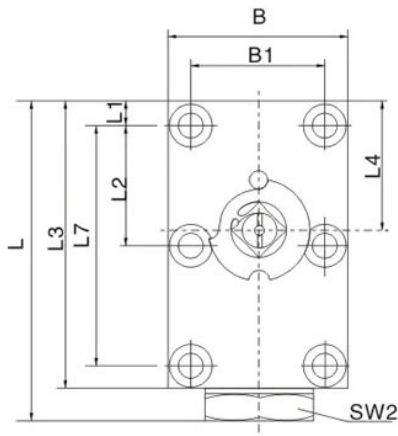
Model Code

KHP	10	1	1	1	2	04
(1)	(2)	(3)	(4)	(5)	(6)	(7)

- (1) Product code:
KHP- Two-way Plate Hydraulic Ball Valve
- (2) Nominal diameter: 06, 10, . . . 16mm
- (3) Valve and joints material:
1-Carbon steel, 4- Stainless Steel
- (4) Ball and spindle material control:
1-Carbon steel, 4- Stainless Steel
- (5) The seal material: 1-POM
- (6) Plugs and control spindle seal material:
2-NBR
4-FPM
(1112 conventional material combinations can be omitted when ordering)
- (7) Handle Type:
01-Aluminum alloy crank
02-Aluminum alloy straight handle
03-Zinc alloy crank
04-Zinc alloy straight shank
05-Steel crank
06-Steel straight handle



Dimensions



Model	DN	LW	L	L1	L2	L3	L4	L5	L6	L7	B	B1
KHP-06	6	6	64	8.5	17.5	59	25	8.5	35	35	40	27
KHP-10	10	9.5	80	8	27.5	71	29.5	10.5	44	55	56	40
KHP-16	16	16	110	8.5	41.5	100	43.5	17	58	83	62	45
KHP-20	20	20	127	10	48.5	117	51	20	69	97	70	51
KHP-25	25	25	148	10	57.5	135	62	24	81	115	80	60
KHP-32	32	32	177	12	68	165	75	29	96	136	100	78
KHP-40	40	38	192	28.5	56	180	85.5	28.5	112	112	130	95
KHP-50	50	48	245	38	68	220	106	38	136	136	149	112

Model	SW1	SW2	H	H1	H2	D	D1	D2	D3	A	S	O-Ring
KHP-06	9	22	39	30	6	6.6	11	6	12	1.4	23	12x1.9
KHP-10	9	30	54.5	42	8	9	13.5	9.5	16	1.8	33	16x2.4
KHP-16	12	36	67.5	50	11	9	13.5	16	25	1.8	41	25x2.4
KHP-20	12	41	80	62	12	10.5	16.5	20	30	2.4	51	30x3.1
KHP-25	12	50	86	67	12	10.5	16.5	25	35	2.4	56	35x3.1
KHP-32	17	65	110	90	14	13	19	32	40	2.4	77	40x3.1
KHP-40	17	75	120	100	14	17.5	26	38	50	2.4	82	50x3.1
KHP-50	17	75	130	100	14	22	33	48	56	2.7	88	56 x 3.5

Model	KHP-06	KHP-10	KHP-16	KHP-20	KHP-25	KHP-32	KHP-40	KHP-50
Bolt/GB70-85	M6x30	M8x45	M8x50	M10x65	M10x70	M12x90	M16x90	M20x 110
(Nm)	13	30	35	60	60	110	300	600

Model Code

KHP3K	10	1	1	1	1	2	04
(1)	(2)	(3)	(4)	(5)	(6)	(7)	(8)

- (1) Product code:
KHP3K- Three-way Plate Hydraulic Ball Valve
- (2) Nominal diameter: 06, 10, . . . 16mm
- (3) Function Symbol: 1-L , 2-T
- (4) Valve and joints material:
1-Carbon steel, 4- Stainless Steel
- (5) Ball and spindle material control:
1-Carbon steel, 4- Stainless Steel
- (6) The seal material: 1-POM
- (7) Plugs and control spindle seal material:
2-NBR
4-FPM
(1112 conventional material combinations can be omitted when ordering)
- (8) Handle Type:
01-Aluminum alloy crank
02-Aluminum alloy straight handle
03-Zinc alloy crank
04-Zinc alloy straight shank
05-Steel crank
06-Steel straight handle



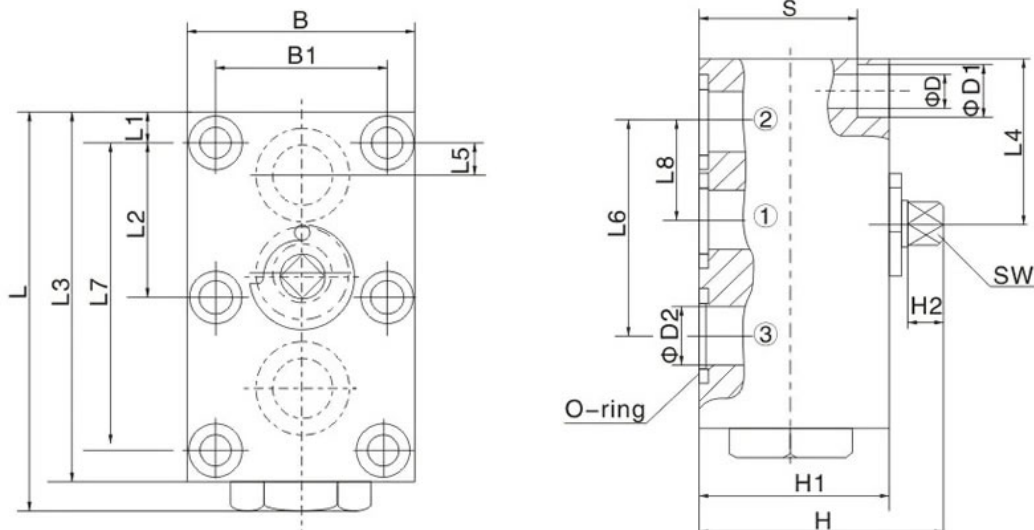
Valve Function

Hydraulic oil just can flow into valve through port "1" and the valve only can be sealed under the two situations:

- 1) Pressure at the closed port is zero;
- 2) Pressure at the closed port is lower than at the two open ports.

L形/Shape	90° 换向/Commutation

Dimensions



Model	L	L1	L2	L3	L4	L5	L6	L7	L8	B
KHP3K-06	64	8.5	17.5	59	25	0	35	35	17.5	40
KHP3K-10	80	8	27.5	71	29.5	2.5	44	55	19	56
KHP3K-16	110	8.5	41.5	100	43.5	8.5	58	83	26.5	62
KHP3K-20	127	10	48.5	117	51	10	69	97	32	70
KHP3K-25	145	10	57.5	135	62	14	81	115	38	80
KHP3K-32	177	12	68	165	75	17	96	136	46	100
KHP3K-40	192	28.5	56	180	85.5	0	112	112	56	130
KHP3K-50	245	38	68	220	106	0	136	136	68	149

Model	B1	H	H1	H2	D	D1	D2	S	SW	O-Ring/GB1235
KHP3K-06	27	39	30	6	6.6	11	6	23	9	12x 1.9
KHP3K-10	40	54.5	42	8	9	13.5	9.5	33	9	16x2.4
KHP3K-16	45	67.5	50	11	9	13.5	16	41	12	25x2.4
KHP3K-20	51	80	62	12	10.5	16.5	20	51	12	30x3.1
KHP3K-25	60	85	67	12	10.5	16.5	25	56	12	35x3.1
KHP3K-32	78	110	90	14	13	19	32	77	17	40x3.1
KHP3K-40	95	120	100	14	17.5	26	38	82	17	50x3.1
KHP3K-50	112	130	110	14	22	33	48	88	17	56 x 3.5

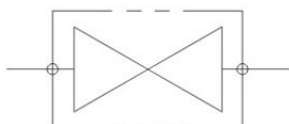
Model Code



- (1) Ball Valve Series Code: KBV Type
- (2) Nominal Diameter: 6, 10, 13, 20, 25, 32
- (3) Type of Connection:
 - A- Male
 - B- Female
 - A-B- Male, Female
- (4) Connection Mode: SAE, MT/T, DIN

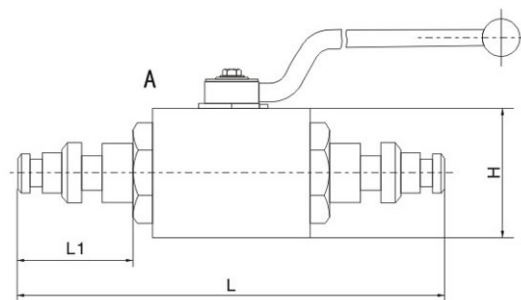


Hydraulic Schematic Symbol

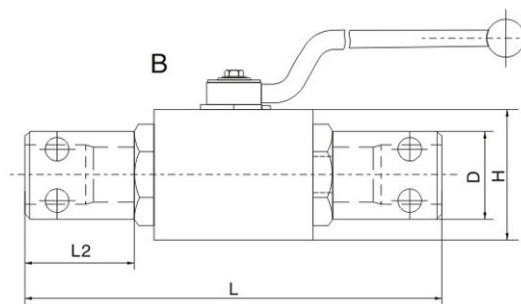


Dimensions

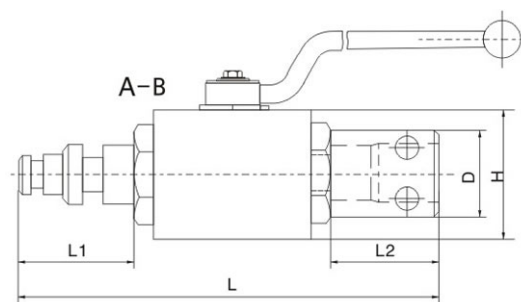
TYPE	DN	PN	L	H	LI
KBV-6A	6	500	108	34	29
KBV-10A	10	500	110	40	29
KBV-12A	12	500	110	40	29
KBV-20A	20	400	116	45	29
KBV-25A	25	350	151	61	35
KBV-32A	32	350	151	61	35



TYPE	DN	PN	L	H	D	LI
KBV-6B	6	500	104	34	24	27
KBV-10B	10	500	106	40	30	27
KBV-12B	13	500	106	40	35	27
KBV-20B	20	400	110	45	41	27
KBV-25B	25	350	136	61	53	34
KBV-32B	32	350	139	61	60	34



TYPE	DN	PN	L	H	D	LI	L2
KBV-6A-6B	6	500	106	34	24	29	27
KBV-10A-10B	10	500	108	40	30	29	27
KBV-12A-12B	13	500	108	40	35	29	27
KBV-20A-20B	20	400	113	45	41	29	27
KBV-25A-25B	25	350	144	61	53	35	34
KBV-32A-32B	32	350	147	61	60	35	34



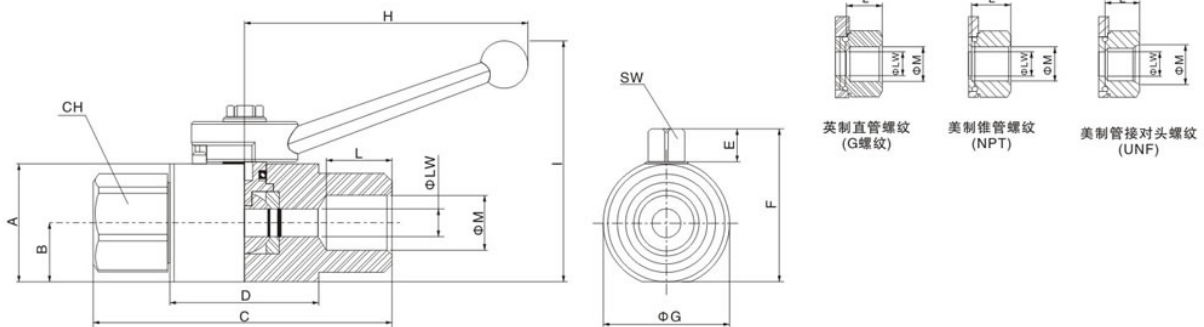
Model Code

HGQ		G1/4				DN6	1	1	1	1	A	B
TYPE	GAS	NPT	SAE	DIN2353	DIN2353	BALL	VALVE	JOINTS	HANDLE	BALL	SEAL	JOINT SEAL
GEM-2	DIN/ISO	ANSI/ASME	J1926-1	Heavy	Light	DN	MATERIAL			MATERIAL	MATERIAL	
	228 BSP	B1,20,1	SAE4	8S	6L	DN4		CARBON STEEL			A: POM	B: NBR
	G1/4	N1/4		10S	8L	DN6		STAINLESS STEEL			D: PEEK	E: FKM

- (1) Material: Stainless Steel, Carbon Steel;
- (2) Ball Valve Series Code: HGQ Floating Ball Valve
- (3) Pressure: 500bar
- (4) Temperature range: -20~100°C



Dimensions



G Thread

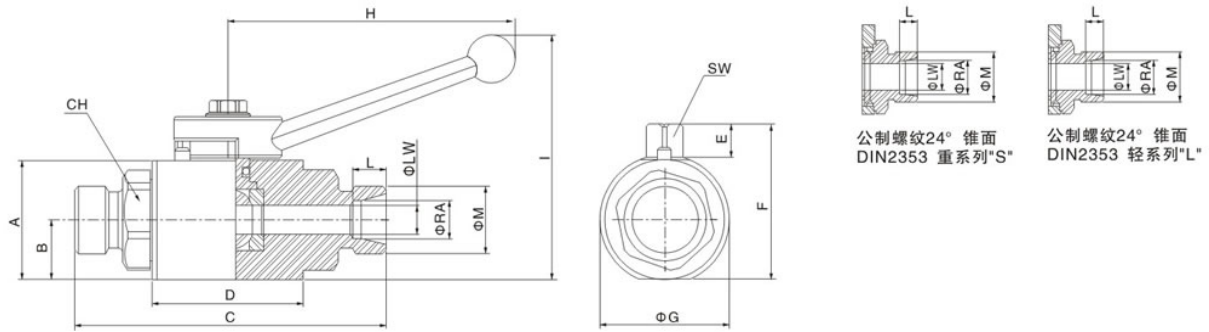
Model	PN	DN	A	B	C	D	E	F	ΦG	H	I	L	ΦM	CH	SW	ΦLW	KG
HGQ-G1/4	50MPa	6	25	12.5	63	31.5	7	32.5	26.8	60	51	14	G1/4	19	6	6	0.2

NPT Thread

Model	PN	DN	A	B	C	D	E	F	ΦG	H	I	L	ΦM	CH	SW	ΦLW	KG
HGQ-N1/4	50MPa	6	25	12.5	63	31.5	7	32.5	26.8	60	51	14	G1/4	19	6	6	0.2

UNF Thread

Model	PN	DN	A	B	C	D	E	F	ΦG	H	I	L	ΦM	CH	SW	ΦLW	KG
HGQ-SAE	50MPa	6	25	12.5	63	31.5	7	32.5	26.8	60	51	14	G1/4	19	6	6	0.2



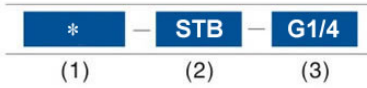
DIN2353 S Series

Model	PN	DN	A	B	C	D	E	F	ΦG	H	I	L	ΦM	CH	SW	ΦLW	ΦRA	KG
HGQ-8S	50MPa	6	25	12.5	65	31.5	7	32.5	26.8	60	51	7	16x1.5	19	6	6	8	0.2
HGQ-10S	50MPa	6	25	12.5	65	31.5	7	32.5	26.8	60	51	7	18x1.5	19	6	6	10	0.2

DIN2353 L Series

Model	PN	DN	A	B	C	D	E	F	ΦG	H	I	L	ΦM	CH	SW	ΦLW	ΦRA	KG
HGQ-8L	50MPa	6	25	12.5	65	31.5	7	32.5	26.8	60	51	7	M12x1.5	19	6	6	9	0.19
HGQ-10L	50MPa	6	25	12.5	65	31.5	7	32.5	26.8	60	51	7	M14x1.5	19	6	6	8	0.19

Model Code



- (1) Material: SS-Stainless Steel, Carbon Steel;
- (2) Ball Valve Series Code: STB BI-directional Flow Restrictor
- (3) Connection thread:
 STU: BBSP
 STB: BBSP, NPT, UNF

Material:

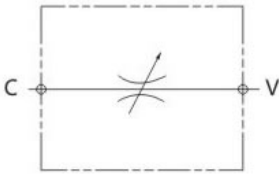
Body: Steel
 Valves: Hardened Steel
 Seals: NBR
 Operational Range
 Mounting, As preferred

Temperatures

+40 °C - +70 °C ideal operating range
 +90 °C Max. operating temperature
 -20 °C - +60 °C Min/Max. Environment Temps



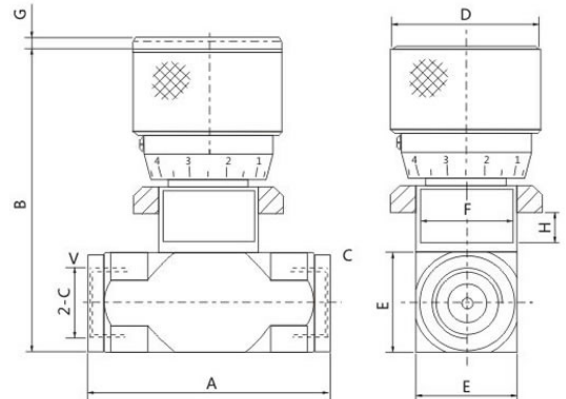
Hydraulic Schematic Symbol



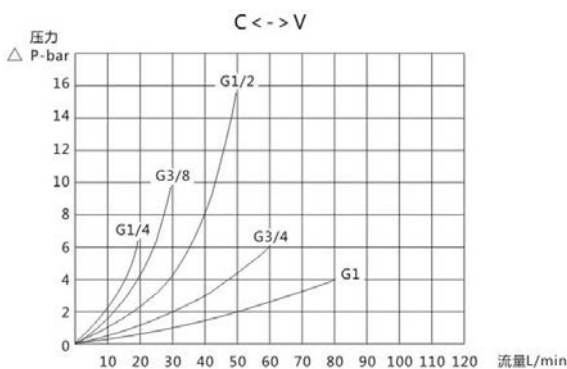
Dimensions

TYPE	C	(L/min)	PN	A	B	D	E	F	G	H
STB-G1/4	G1/4	12	400	54	72	32	20	M20x1	5	7
STB-G3/8	G3/8	30	400	62	80	32	25	M20x1.5	9	7
STB-G1/2	G1/2	50	400	73	92	45	30	M30x1.5	9	9
STB-G3/4	G3/4	85	400	84	100	45	40	M35x1.5	10	11
STB-G1	G1	150	320	102	122	45	45	M40x1.5	12	15

- 1) The impacted nut at F should be purchased by another way.
- 2) C can be designed according to customer requirements.



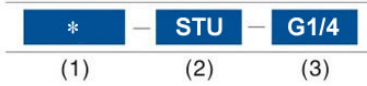
Flow Diagram



Applications

The flow restrictor valves are able to produce a pressure drop between inlet and outlet. They are not pressure compensated so the regulated flow can change in function of the pressure and of the viscosity.

Model Code



- (1) Material: SS-Stainless Steel, Carbon Steel;
- (2) Ball Valve Series Code: STU Flow Restrictor with Check Valve
- (3) Connection thread:
 STU: BBSP
 STB: BBSP, NPT, UNF

Material:

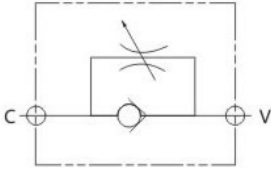
Body: Steel
 Valves: Hardened Steel
 Seals: NBR
 Operational Range
 Mounting, As preferred

Temperatures

+40 °C - +70 °C ideal operating range
 +90 °C Max. operating temperature
 -20 °C - +60 °C Min/Max. Environment Temps



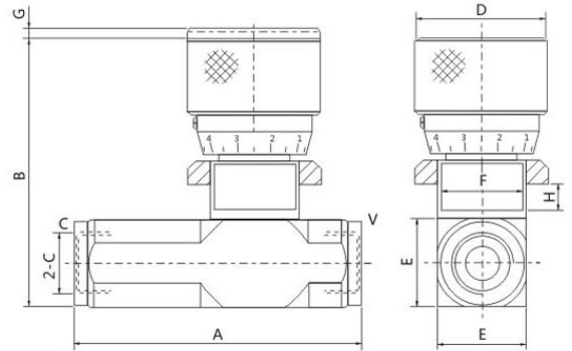
Hydraulic Schematic Symbol



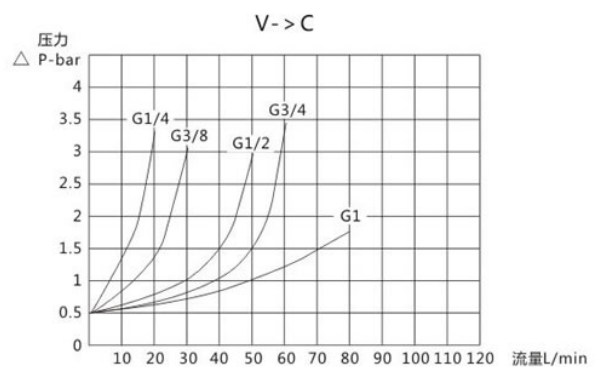
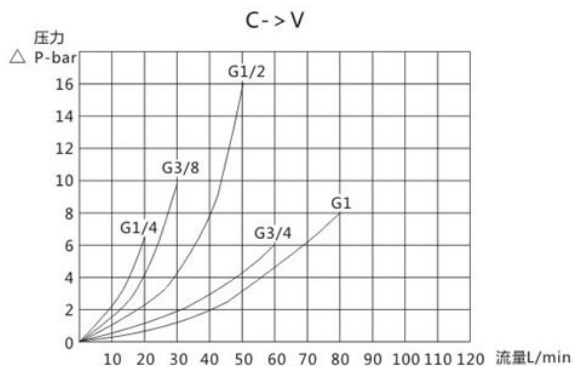
Dimensions

TYPE	C	(L/min)	PN	A	B	D	E	F	G	H
STU-G1/4	G1/4	12	400	73	72	32	20	M20x1	5	7
STU-G3/8	G3/8	30	400	82	80	32	25	M20x1.5	9	7
STU-G1/2	G1/2	50	400	98	92	45	30	M30x1.5	9	9
STU-G3/4	G3/4	85	400	112	100	45	40	M35x1.5	10	11
STU-G1	G1	150	320	142	122	45	45	M40x1.5	12	15

- 1) The impacted nut at F should be purchased by another way.
- 2) C can be designed according to customer requirements.



Flow Diagram



Model Code

TCV – **G1/2** – **0.5**
 (1) (2) (3)

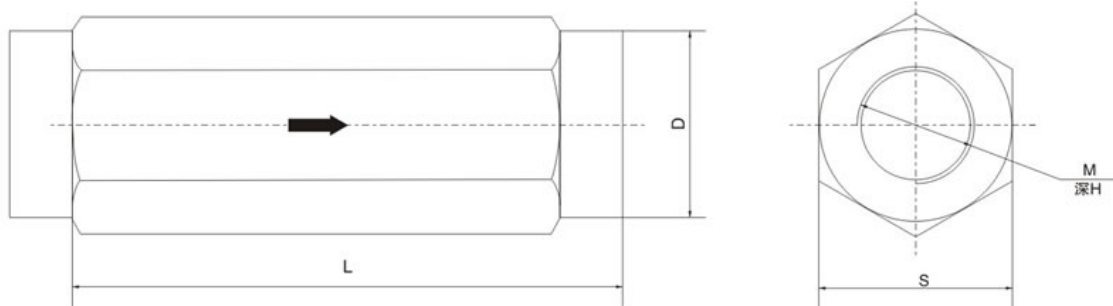
(1) Ball Valve Series Code: TCV Tube One-way Check Valve

(2) Thread Size: G1/4, G3/8....

(3) Opening Pressure: 0.5bar, 5bar



Dimensions



Model	DN	PN	L	D	S	M	H
TCV-G1/4	6	400	62	18.5	19	G1/4	12
TCV-G3/8	10	400	70	23.5	24	G3/8	14
TCV-G1/2	12	350	77	29.5	30	G1/2	16
TCV-G3/4	16	350	90	35.5	36	G3/4	18
TCV-G1	20	350	106	45.5	46	G1	20
TCV-G1 1/4	25	250	130	54.5	55	G1 1/4	22
TCV-G1 1/2	30	250	140	64.5	65	G1 1/2	24
TCV-G2	40	250	160	74.5	75	G2	26